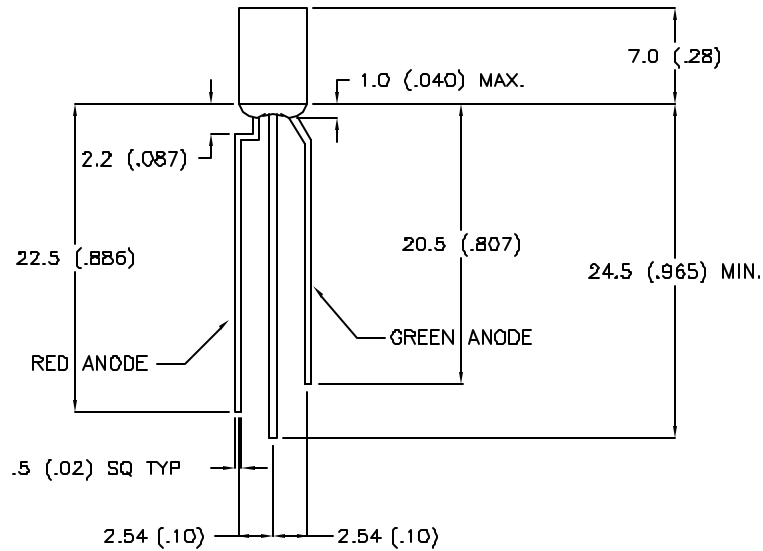
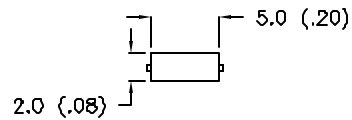


DATE	REVISIONS	REV
1-12-95	UPDATED SPECS., ADDED LEADS IN TOP VIEW./	A

DRAWING NUMBER	REV
SSL-LX2579IGW	A



ELECTRO-OPTICAL CHARACTERISTICS $T_A = 25\text{ }^\circ\text{C}$ $I_f = 20\text{mA}$					
PARAMETER	MIN	TYP	MAX	UNITS	TEST COND
PEAK WAVELENGTH		635 (RED)		nm	
		565 (GREEN)		nm	
FORWARD VOLTAGE (R/G)	2.1	2.8		V_f	
REVERSE VOLTAGE (R/G)	5.0			mod	$I_f = 100\mu\text{A}$
AXIAL INTENSITY (R/G)	14/8			mod	$I_f = 20\text{mA}$
VIEWING ANGLE	110			2x theta	
EMITTED COLOR :	RED/GREEN				
EPOXY LENS FINISH:	MILKY WHITE DIFFUSED				

Ⓐ LIMITS OF SAFE OPERATION AT 25 °C

PARAMETER	MAX	UNITS
PEAK FORWARD CURRENT (R/G)*150/150		mA
AVG FORWARD CURRENT (R/G)	30/25	mA
POWER DISSIPATION (R/G)	105/105	mW
DERATE FROM 25 °C	-1.2	mW/ °C
OPERATING/STORAGE TEMP	-40 TO +85	°C
LEAD SOLDERING TEMP.	+260	°C
2.0mm FROM BODY		3 SEC. MAX

* $t < 10\mu\text{s}$

RELIABILITY NOTE:

OUR MANY YEARS OF EXPERIENCE DATA ACCUMULATION INDICATE THAT SOLDER HEAT IS A MAJOR CAUSE OF EARLY AND FUTURE FAILURE. PLEASE PAY ATTENTION TO YOUR SOLDERING PROCESS.

LX2579AC



292 E. HELLEN ROAD
PALATINE, ILLINOIS 60067
(708) 359-2790

DATE: 11-10-92	APPROVED BY:	DRAWN BY:
SCALE: N/A		

2 X 5 mm RECTANGULAR LED, BICOLOR RED/GREEN

PAGE 1 OF 1	DRAWING NUMBER SSL-LX2579IGW	REV A
-------------	---------------------------------	----------